

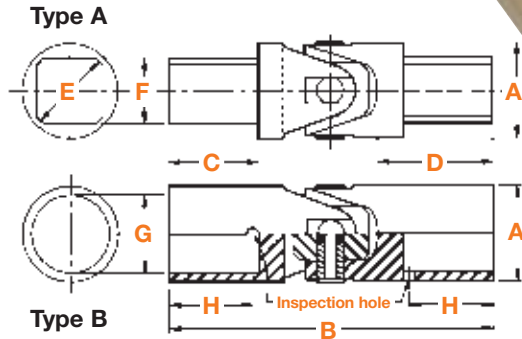
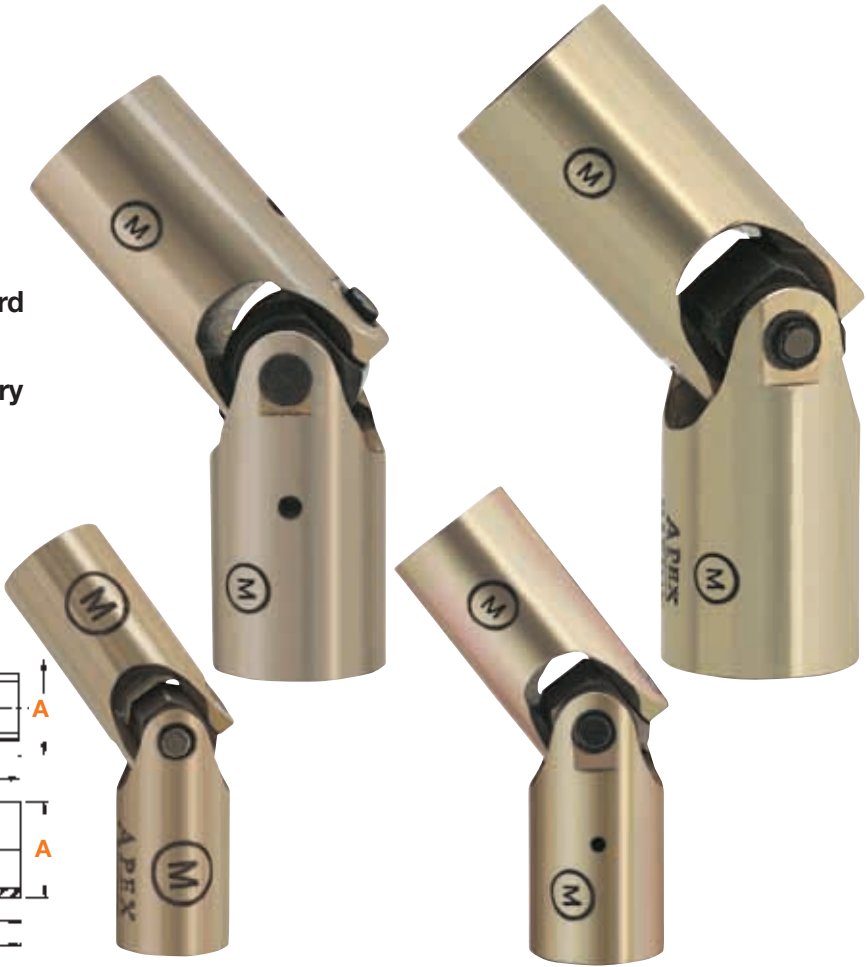
Military Standard Universal Joints

Light-Duty



MS 270 Series

Light-duty MS 270 military standard universal joints have undergone qualification testing and meet or exceed the requirements of Military Specification MIL-J-6193 and Standard Drawing MS20270.



MS 270 Series

Part Number	A +0.00, -0.02 (+0.00, -0.05) Diameter		B +/-0.015 (+/-0.381) OAL		C +0.031, -0.000 (+0.787, -0.000) Depth/Length		D Min		E +0.00, -0.005 (+0.000, -0.127) Square, A/C		F +0.00, -0.001 (+0.000, -0.025) Square, A/F		G +0.004, -0.001 (+0.102, -0.025) Bore Dia.		H +/-0.015 (+/-0.381) Hole Loc.		Weight Max (For 'B' Config.)	
	Male Square	Bored Hub	in	mm	in	mm	in	mm	in	mm	in	mm	in	mm	in	mm	Lbs.	kg

Dimensions

MS-20270-B6	MS-20270-B6	0.372	9.45	1.750	44.45	0.375	9.52	0.625	15.88					0.250	6.35	0.312	7.92	0.035	0.016
MS-20270-A8	MS-20270-B8	0.495	12.57	1.875	47.62	0.500	12.70	0.625	15.88	0.493	12.52	0.373	9.47	0.375	9.52	0.437	11.10	0.065	0.030
MS-20270-A10	MS-20270-B10	0.620	15.75	2.187	55.55	0.625	15.88	0.750	19.05	0.562	14.27	0.436	11.07	0.500	12.70	0.562	14.27	0.095	0.043
MS-20270-A12	MS-20270-B12	0.745	18.92	2.500	63.50	0.750	19.05	0.875	22.22	0.743	18.87	0.560	14.22	0.625	15.88	0.687	17.45	0.160	0.073
	MS-20270-B14	0.870	22.10	3.000	76.20	0.937	23.80	1.031	26.19					0.750	19.05	0.875	22.22	0.220	0.100
MS-20270-A16	MS-20270-B16	0.995	25.27	3.375	85.72	0.937	23.80	1.125	28.57	0.875	22.22	0.686	17.42	0.812	20.62	0.875	22.22	0.385	0.175
MS-20270-A20	MS-20270-B20	1.245	31.62	3.750	95.25	1.000	25.40	1.187	30.15	1.187	30.15	0.873	22.17	1.062	26.97	0.937	23.80	0.630	0.286
MS-20270-A24	MS-20270-B24	1.495	37.97	4.500	114.30	1.125	28.57	1.375	34.92	1.375	34.92	0.998	25.35	1.250	31.75	1.062	26.97	1.200	0.545

Part Number	Male Square Hub	Round Bored Hub	Angle	Torsional play			Minimum Ultimate Static Torque				Axial Tension & Compression		Endurance Torque Tests		
				Test Torque		Maximum Degrees	Specifications		Apex Average		Lbs.-in	N	Operating Angle	Torque	
Lbs.-in	N-m	Lbs.-in	N-m	Lbs.-in	N-m		Lbs.-in	N	Lbs.-in	N-m					

Performance Specifications

MS-20270-B6	MS-20270-B6	0	4	0.452	1.00	175	19.78	250	28.25	200	890	15°	26	2.94
MS-20270-A8	MS-20270-B8	0	4	0.452	0.80	250	28.25	480	54.24	200	890	15°	38	4.29
MS-20270-A10	MS-20270-B10	0	4	0.452	0.64	500	56.50	950	107.35	300	1,335	15°	75	8.48
MS-20270-A12	MS-20270-B12	0	4	0.452	0.53	1,000	113.00	1,600	180.80	400	1,779	15°	150	16.95
	MS-20270-B14	0	8	0.904	0.46	1,750	197.75	2,500	282.50	500	2,224	15°	262	29.61
MS-20270-A16	MS-20270-B16	0	8	0.904	0.40	2,500	282.50	4,500	508.50	600	2,669	15°	375	42.38
MS-20270-A20	MS-20270-B20	0	8	0.904	0.32	5,000	565.00	7,000	791.00	800	3,558	15°	750	84.75
MS-20270-A24	MS-20270-B24	0	8	0.904	0.27	7,500	847.50	11,500	1,299.50	1,100	4,893	15°	1,125	127.13