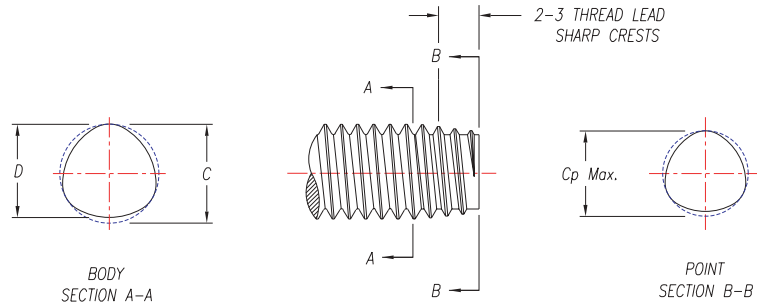




Percent thread chart Page 8
 Pilot hole sizes Page 9
 Typical torque performance . . . Page 10
 Typical single punch
 extruded holes Pages 11 & 12
 Die cast cored holes Page 12
 CORFLEX® Page 21
 General Information Page 22



Length Tolerance - Inch - Per ANSI B18.6.3		
Nominal Screw Length	Nominal Screw Size	
	#4 - #12	1/4" - 1/2"
Tolerance On Length		
To 1/2" Inclusive	+0, - .020	+0, - .030
Over 1/2" to 1" Inclusive	+0, - .030	+0, - .030
Over 1" to 2" Inclusive	+0, - .060	+0, - .060
Over 2"	+0, - .090	+0, - .090

Length Tolerance - Metric - Per ANSI B18.6.7M	
Nominal Screw Length	Tolerance on Length mm
to 3mm incl	± 0.2
over 3 to 10mm	± 0.3
over 10 to 16mm	± 0.4
over 16 to 50mm	± 0.5
over 50mm	± 1.0

TAPTITE II® Thread Rolling Screws

TAPTITE II® thread rolling screws have the TRILOBULAR™ shape which reduces friction during thread forming, provides prevailing torque which exceeds the level of locking screws, and most importantly, inherently provides resistance to vibrational loosening.

The TRILOBULAR™ engineering principles used to create TAPTITE II® screws create an efficient thread rolling screw in all sizes and pitches allowing the manufacture and efficient use of production screws in Sizes 00/M1 to as large as 1"/M24. Only TAPTITE II® screws can make this claim. Competing designs are not typically manufactured above M5 size and certainly not available up to M24 as are TAPTITE II® screws.

To utilize the in-place cost savings and performance benefits of TAPTITE II® screws in large sizes in structural applications, the combination of CORFLEX®-I selective hardening (See Page 21) is highly beneficial. CORFLEX®- I TAPTITE II® bolts can be used where high-strength grade-strength level bolts are required.

NOMINAL SCREW SIZE	SCREW BODY DIMENSIONS				POINT
	Max.	Min.	Max.	Min.	Cp Maximum
Metric Sizes (mm)					
M1.6 x 0.35	1.66	1.58	1.59	1.51	1.31
M2.0 x 0.40	2.06	1.98	1.98	1.90	1.67
M2.5 x 0.45	2.57	2.48	2.48	2.39	2.13
M3.0 x 0.50	3.07	2.98	2.97	2.88	2.58
M3.5 x 0.60	3.58	3.48	3.46	3.36	3.00
M4.0 x 0.70	4.08	3.98	3.94	3.84	3.40
M4.5 x 0.75	4.59	4.48	4.44	4.33	3.85
M5.0 x 0.80	5.09	4.98	4.93	4.82	4.31
M6.0 x 1.00	6.10	5.97	5.90	5.77	5.13
M7.0 x 1.00	7.10	6.97	6.90	6.77	6.13
M8.0 x 1.25	8.13	7.97	7.88	7.72	6.91
M10 x 1.50	10.15	9.97	9.85	9.67	8.69
M12 x 1.75	12.18	11.97	11.83	11.62	10.47
M14 x 2.00	14.20	13.97	13.80	13.57	12.25
M16 x 2.00	16.20	15.97	15.80	15.57	14.25
Inch Sizes (in)					
00-90	0.0481	0.0451	0.0461	0.0431	0.037
0-80	0.0613	0.0583	0.0588	0.0558	0.049
1-64	0.0745	0.0715	0.0715	0.0685	0.059
2-56	0.0875	0.0835	0.0840	0.0800	0.070
3-48	0.1010	0.0970	0.0970	0.0930	0.081
4-40	0.1145	0.1105	0.1095	0.1055	0.090
5-40	0.1275	0.1235	0.1225	0.1185	0.103
6-32	0.1410	0.1350	0.1350	0.1290	0.111
8-32	0.1670	0.1610	0.1610	0.1550	0.137
10-24	0.1940	0.1880	0.1860	0.1800	0.153
10-32	0.1930	0.1870	0.1870	0.1810	0.163
12-24	0.2200	0.2140	0.2120	0.2060	0.179
1/4-20	0.2550	0.2490	0.2450	0.2390	0.206
5/16-18	0.3180	0.3120	0.3070	0.3010	0.264
3/8-16	0.3810	0.3750	0.3685	0.3625	0.320
7/16-14	0.4445	0.4385	0.4305	0.4245	0.375
1/2-13	0.5075	0.5015	0.4920	0.4860	0.432
9/16-12	0.5710	0.5630	0.5540	0.5460	0.490
5/8-11	0.6340	0.6260	0.6160	0.6080	0.545